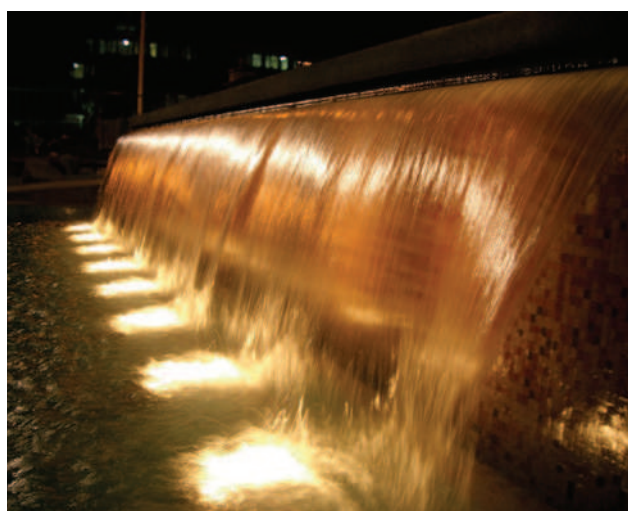


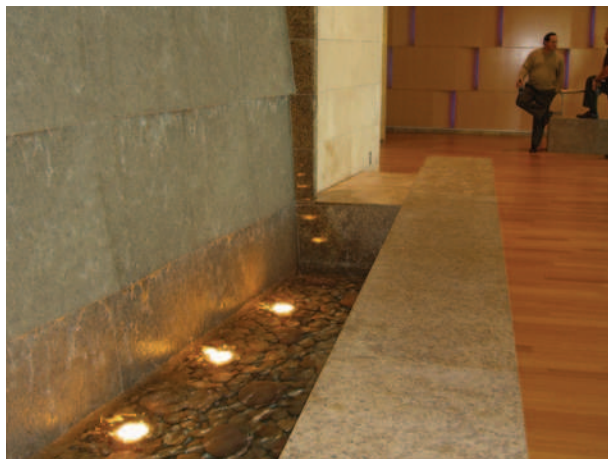
TRADITIONAL LIGHTING

Introduction

While many fountain projects are turning to LED lighting, there are still those who prefer traditional halogen lighting products. Crystal Fountains manufactures a range of traditional lighting types from compact to heavy duty and many come with various mounting options to suit your application. Whatever your lighting needs, there are some practical guidelines when lighting water features:

169	TRADITIONAL LIGHTING
170	General considerations for Lighting
171	EL002 Series – Compact Fountain Light
172	EL030 Series – 12VAC Underwater Light
174	EL040 Series – 12 or 24VAC Underwater Light





General considerations for Lighting

There are three important factors to be considered when selecting the number of fixtures and type of lamps to illuminate a fountain:

Type of water effect:

- Single Nozzle – normally two fixtures per color with spot lamps
- Spray Rings – normally one fixture per color on 1.3m centers to 4.6m using wide flood lamps. For over 4.5m one fixture on 1m centers using medium flood lamps.

Color Selection:

Various colors require different lighting intensities to achieve optimum levels i.e:

- Amber and Turquoise – requires 50% more light than clear.
- Red – requires 100% more light than clear.
- Blue and Green – require 250% more light than clear.

Example: A fountain requiring illumination to 3m using red lens will require a lamp with light projection to 5.5m with clear lens.

Note: High ambient light levels tend to wash out colored lights. In these conditions, we suggest you use clear, amber or turquoise.

EL002 Series – Compact Fountain Light

This attractive, compact light is available in a variety of wattage and voltage configurations. Its compact size allows close placement to any jet for maximum light usage or in tight surroundings. Halogen lamps are available in spot and flood to allow gentle lighting of low effects and waterwalls as well as very good projection for high vertical nozzle effects. Available freestanding with integral rockguard, thermal cutoff, different cable lengths to suit your application. Submersible IP68, CE Marking, UL and ULC listed. Made of 316L stainless steel. Fixture must be submerged while in operation.

**Contact Crystal Fountains for detailed specifications, installation and operation details.*

DIMENSIONS

Part No.	a dim. (mm)	b dim. (mm)	c dim. (mm)	w dim. (mm)
EL002002	166	77	127	51

How to Order

CHOOSE LIGHT

Mounting	Part No.
Stand	EL002002

CHOOSE CABLE

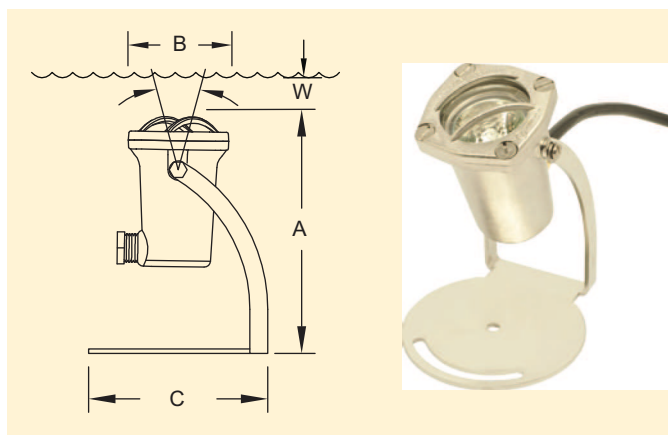
Cable Length	Part No.
3 m.	EL CORD005M03
6 m.	EL CORD005M06
10 m.	EL CORD005M10
15 m.	EL CORD005M15

CHOOSE LAMP

Lamp			Part No.
Volts	Watts	Beam	
12	20	Spot	EQS010
		Flood	EQS011
35		Spot	EQS012
		Flood	EQS013
50		Spot	EQS015
		Flood	EQS014
75		Spot	EQS016
		Flood	EQS017



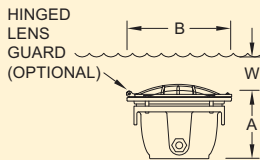
This product (with 12V light fixture, 75W lamp and 6m cable only) is available under our Quick Ship program! See page 15 for more details.



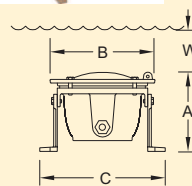
EL030 Series – 12VAC Underwater Light

This versatile, low-profile 12VAC underwater light fixture can be used in water depths from 204mm to 458mm. Ideal for lighting heavy water effects in traditional fountains (not swimming pools or spas) and can be installed in a daisy-chain format. Available in a variety of mounting options from freestanding to niche mounted and with cable lengths to suit your application. Also available with a range of 105W to 225W lamps. Optional rockguard or lens colors available. CE Marking, UL and ULC listed. Made of cast bronze with cast glass lens. Fixture must be submerged while in operation.

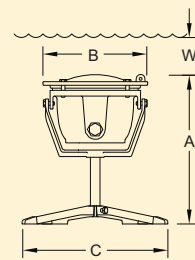
**Contact Crystal Fountains for detailed specifications, installation and operation details.*



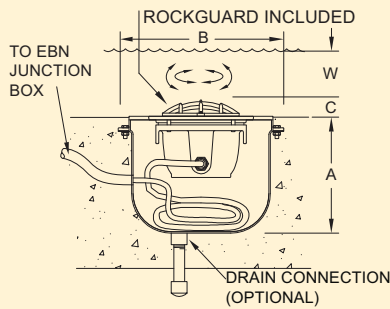
ELA030 - Basic Light



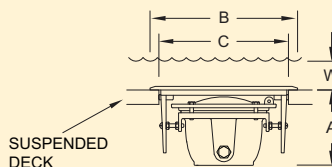
ELB030 - Light with T-Foot



ELC030 - Freestanding Light



ELD030 - Light with Niche



ELS030 - Light with Slab hanger

EL030 Series – 12VAC Underwater Light

DIMENSIONS

Part No.	a dim. (mm)	b dim. (mm)	c dim. (mm)	w dim. (mm)
ELA030	134	185		51
ELB030	159	185	223	51
ELC030	197 or 407	185	254	51
ELD030	204	293	51	51
ELS030	140	261	223	51

How to Order

CHOOSE LIGHT

Light Fixture		Part No.
Series	Options	
ELA	n/a	ELA030
	rockguard	ELA030P
ELB	n/a	ELB030
	rockguard	ELB030P
ELC	197 mm. high	ELC030
	407 mm. high	ELC030L
	197 mm. w/. rockguard	ELC030P
	407 mm. rockguard	ELC030LP
ELD	n/a	ELD030
	drain conn.	ELD030D
ELS	n/a	ELS030

CHOOSE CABLE

Cable Length	Part No.
3 m.	EL CORD030M03
6 m.	EL CORD030M06
9 m.	EL CORD030M09
12 m.	EL CORD030M12
Over 12 m.	Contact Factory

CHOOSE LENS

Lens Color	Part No.
clear	EL LENS 2C
amber	EL LENS 2A
blue	EL LENS 2B
green	EL LENS 2G
red	EL LENS 2R
turquoise	EL LENS 2T

CHOOSE LAMP

Lamp		Part No.
Volts	Watts	
12	35	EQS012
	50	EQS015
	75	EQS016

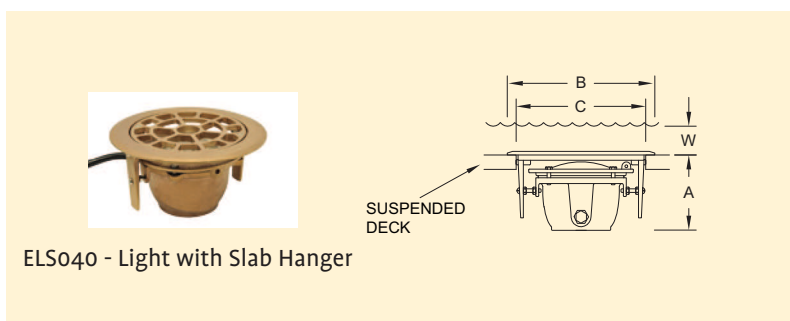
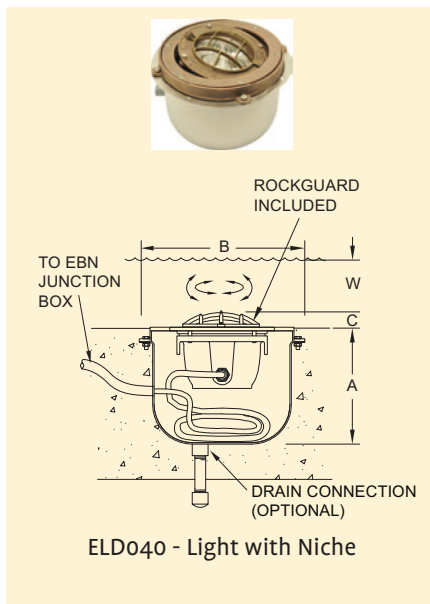
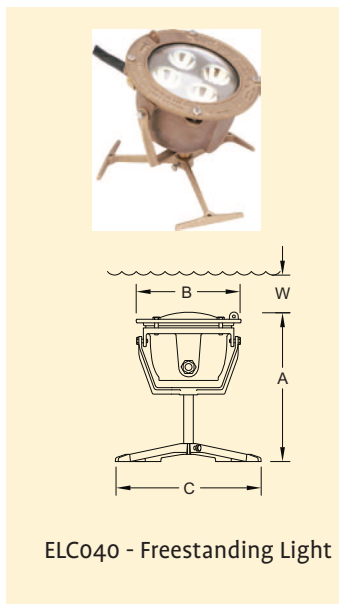
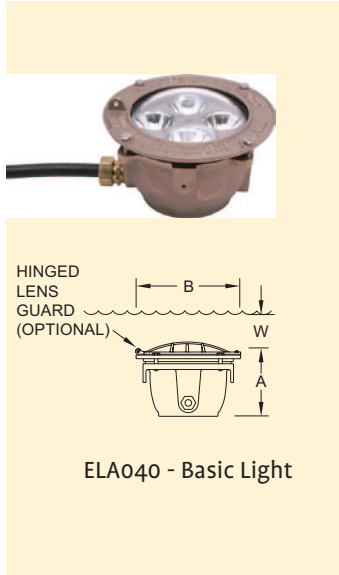
EXAMPLE OF HOW TO ORDER

Quantity	Product	Part No.
1	Light with Slab Hanger	ELS030
1	3 m. Cable	EL CORD030M03
1	Clear Lens	EL LENS 2C
3	35 Watt Lamp	EQS012

ELO40 Series – 12 or 24VAC Underwater Light

This versatile 12VAC, low-profile underwater light fixture can be used in water depths from 204mm to 458mm. Ideal for lighting medium-sized water effects. May be installed in daisy-chain format. Available in a variety of mounting options from freestanding to niche mounted and with various cable lengths. Also available in 24V. Optional lens colors or rockguard available. CE marking, UL and ULC listed for traditional basin fountains. Made of cast bronze with cast glass lens. Fixture must be submerged while in operation.

**Contact Crystal Fountains for detailed specifications, installation and operation details.*



EL040 Series – 12 or 24VAC Underwater Light

DIMENSIONS

Part No.	a dim.	b dim.	c dim.	w dim. (min.)
ELA040	134	185		51
ELB040	159	185	223	51
ELCo40	197 or 407	185	254	51
ELD040	204	293	51	51
ELSo40	140	261	223	51

How to Order

CHOOSE LIGHT

Light Fixture			Part No.
Series	Options	VAC	
ELA	n/a	12	ELA040
		24	ELA04024
	rockguard	12	ELA040P
		24	ELA04024P
ELB	n/a	12	ELB040
		24	ELB04024
	rockguard	12	ELB040P
		24	ELB04024P
ELC	197 mm. high	12	ELCo40
		24	ELCo4024
	407 mm. high	12	ELCo40L
		24	ELCo4024L
	197 mm. w/. rockguard	12	ELCo40P
		24	ELCo4024P
	407 mm. w/. rockguard	12	ELCo40LP
		24	ELCo4024LP
ELD	n/a	12	ELD040
		24	ELD04024
	drain conn.	12	ELD040D
		24	ELD04024D
ELS	n/a	12	ELSo40
		24	ELSo4024

CHOOSE CABLE

Cable Length	Part No.
3 m.	EL CORD030M03
6 m.	EL CORD030M06
9 m.	EL CORD030M09
12 m.	EL CORD030M12
Over 12 m.	Contact Factory

CHOOSE LENS

Lens Color	Part No.
clear	EL LENS 2C
amber	EL LENS 2A
blue	EL LENS 2B
green	EL LENS 2G
red	EL LENS 2R
turquoise	EL LENS 2T

CHOOSE LAMP

Lamp	Part No.	
Volts	Watts	
12	35	EQS012
	50	EQS015
	75	EQS016

EXAMPLE OF HOW TO ORDER

Quantity	Product	Part No.
1	24 VAC 407 mm. Freestanding Light with Rockguard	ELCo4024LP
1	12 m. Cable	EL CORD030M12
1	Clear Lens	EL LENS 2C
4	50 Watt Lamp	EQS015