

## STREAM NOZZLES

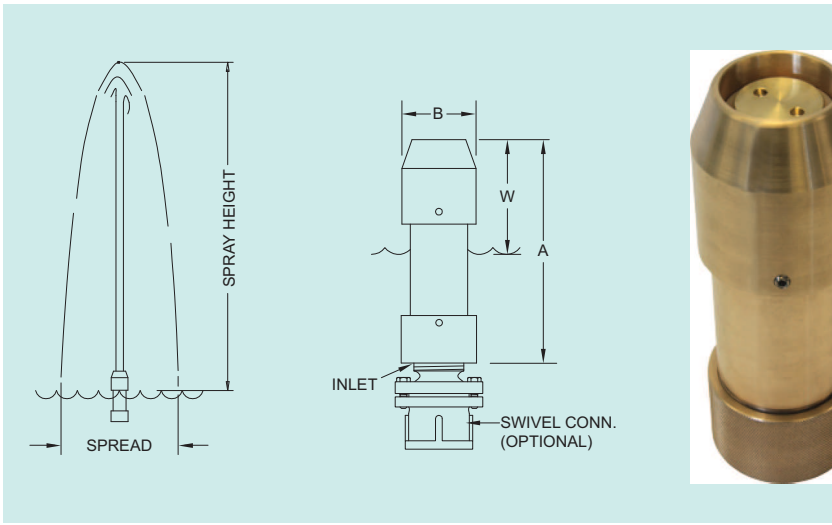
*Clear water, Shiny, Refracts light, Holds shape*



## NBJ Series – Burst Jet

The NBJ Burst Jet is used for high single shot or “burst” effects of up to 27.5m. The design of the jet allows adjustment of the spray pattern and volume of the water. The jet creates a tight stream that rises rapidly but disperses at its peak to fall gently in a controlled manner. This jet requires a systems approach. Made of cast bronze. **Not water level independent.**

- VISIBILITY ■ ■ ■ ■ □ □
- SOUND LEVEL ■ ■ ■ ■ □ □
- WIND RESISTANCE ■ ■ □ □ □ □
- SPLASH/MIST ■ ■ ■ ■ □ □
- EFFICIENCY ■ ■ ■ ■ □ □



*\*Contact Crystal Fountains for detailed specifications, installation and operation details.*

### DIMENSIONS

### PERFORMANCE

Part No.	Inlet (b.s.p.t.)	a dim. (mm)	b dim. (mm)	w dim. (mm)	Suction Strainer Openings max. mm.	Spray height (m.)	1.5	3	4.5	6	9	12	15.5	18.5	21.5	24.5	27.5
							LPM	Head (m.)	Spread (m.)	LPM	Head (m.)	Spread (m.)	LPM	Head (m.)	Spread (m.)	LPM	Head (m.)
NBJ150	1 1/2"	216	70	102	7	LPM	87.0	121.0	148.0	197.0	254.0	284.0	314.0	341.0	363.0	390.0	416.0
						Head (m.)	2	4.5	7	11.5	19.5	28	35.5	46	53	61	70
						Spread (m.)	N/A	N/A	N/A	N/A	N/A	N/A	N/A	N/A	N/A	N/A	N/A

### Options Add Suffix

Spray Height Adjustment Key K

## NEA Series – Plume Jet

A long and slender column of water with an attractive plume shape at the end. The NEA Plume Jet holds its shape in vertical effects, angled spray bars and rings. Easy installation with an integral swivel connector. A large variety of stream sizes available and has universal applications. Stream diameters starting at 2mm–39mm. Available in male or female inlet types. Made of cast bronze and brass. **Not water level dependent.**



This product (excluding NEA200, NEA300 and NEA400) is available under our Quick Ship program! See page 15 for more details.



VISIBILITY	■ ■ ■ □ □
SOUND LEVEL	■ ■ ■ □ □
WIND RESISTANCE	■ □ □ □ □
SPLASH/MIST	■ ■ ■ □ □
EFFICIENCY	■ ■ ■ □ □



NEA012-151



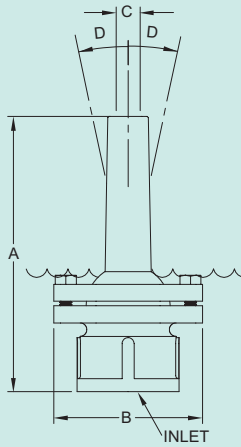
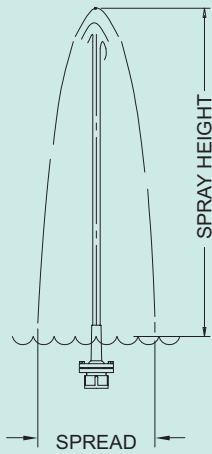
NEA200-300



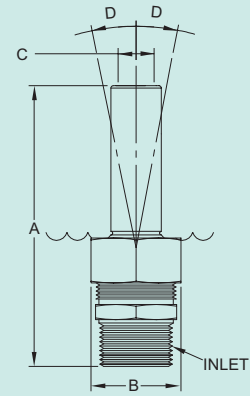
NEA400

*\*Contact Crystal Fountains for detailed specifications, installation and operation details.*

# NEA Series – Plume Jet



NEA200 - NEA400



NEA012 - NEA151

## DIMENSIONS

## PERFORMANCE

Part No.	Inlet (b.s.p.t.)	a dim. (mm)	b dim. (mm)	c dim. (mm)	d dim. (mm)	Suction Strainer Openings max. mm.	Spray height (m.)																				
								1.6	3.1	4.6	6.1	9.2	12.2	15.3	18.3	21.4	24.4	28.5	30.5								
NEA012	1/8"	48	13	4	15°	2	LPM	4.0	4.0																		
							Head (m.)	2.5	4.3																		
							Spread (cm.)	13	18																		
NEA025	1/4"	58	16	7	18°	3	LPM	9.0	11.0	13.0																	
							Head (m.)	2.5	4.3	6.1																	
							Spread (cm.)	16	18	23																	
NEA037	3/8"	70	20	7	18°	4	LPM	15.0	21.0	23.0	25.0																
							Head (m.)	2.5	4.3	6.1	8.3																
							Spread (cm.)	16	21	31	41																
NEA050	1/2"	89	26	10	15°	5	LPM	26.0	34.0	45.0	53.0																
							Head (m.)	2.5	4.3	6.4	8.3																
							Spread (cm.)	21	31	41	59																
NEA078	3/4"	99	32	13	15°	7	LPM	42.0	61.0	76.0	95.0																
							Head (m.)	2.2	4	5.8	10.1																
							Spread (cm.)	21	31	41	59																
NEA101	1"	121	39	16	20°	8	LPM	53.0	72.0	91.0	106.0	125.0															
							Head (m.)	2.5	4.9	8	8.3	12.2															
							Spread (cm.)	21	31	41	59	102															
NEA151	1 1/2"	156	51	16	21°	10	LPM	68.0	95.0	117.0	132.0	182.0	223.0														
							Head (m.)	2.8	4.9	7.7	9.2	11	14.7														
							Spread (cm.)	31	61	89	110	150	199														
NEA200	2"	191	112	23	15°	12	LPM		170.0	212.0	254.0	326.0	428.0	443.0													
							Head (m.)		3.7	5.8	8	13.5	21.1	22.6													
							Spread (cm.)		46	67	117	163	194	224													
NEA300	3"	312	153	29	15°	14	LPM		299.0	356.0	439.0	519.0	659.0	746.0	871.0												
							Head (m.)		3.7	5.8	8.3	8.3	17.7	25	36												
							Spread (cm.)		N/A	N/A	N/A	N/A	N/A	N/A	N/A												
NEA400	4"	407	223	39	15°	20	LPM				750.0	980.0	1075.0	1211.0	1488.0	1541.0	1601.0	1878.0	1968.0								
							Head (m.)				7.4	11.3	15.6	18.6	25.7	29.6	31.7	33.6	45.8								
							Spread (cm.)				N/A	N/A	N/A	N/A	N/A	N/A	N/A	N/A	N/A	N/A							

Options

Add Suffix

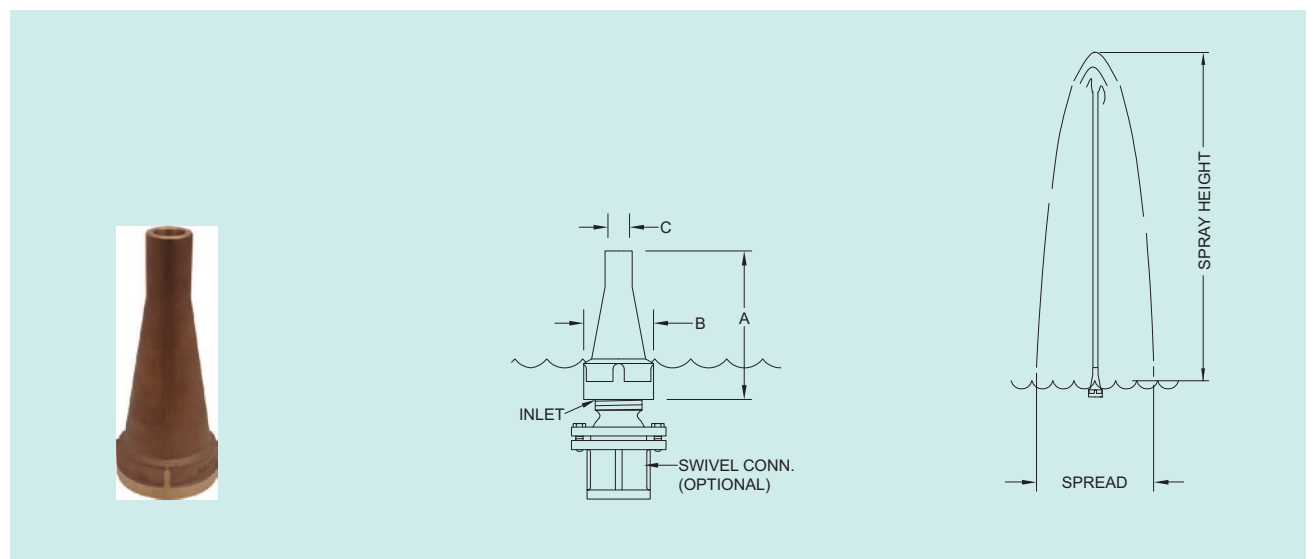
Nozzle Adjustment Key (NEA012 to NEA050) K

## NEF Series – Plume Jet

Similar to the NEA, the NEF creates an elongated column of water impressive vertical effects. Primarily for use in medium-sized and large displays with stream diameters ranging from 13mm - 51mm. Optional alignment swivel available (ASU). Made of cast bronze. **Not water level dependent.**



VISIBILITY	■ ■ ■ □ □
SOUND LEVEL	■ ■ ■ □ □
WIND RESISTANCE	■ ■ □ □ □
SPLASH/MIST	■ ■ ■ □ □
EFFICIENCY	■ ■ ■ □ □



*\*Contact Crystal Fountains for detailed specifications, installation and operation details.*

# NEF Series – Plume Jet

TRADITIONAL NOZZLES



### DIMENSIONS

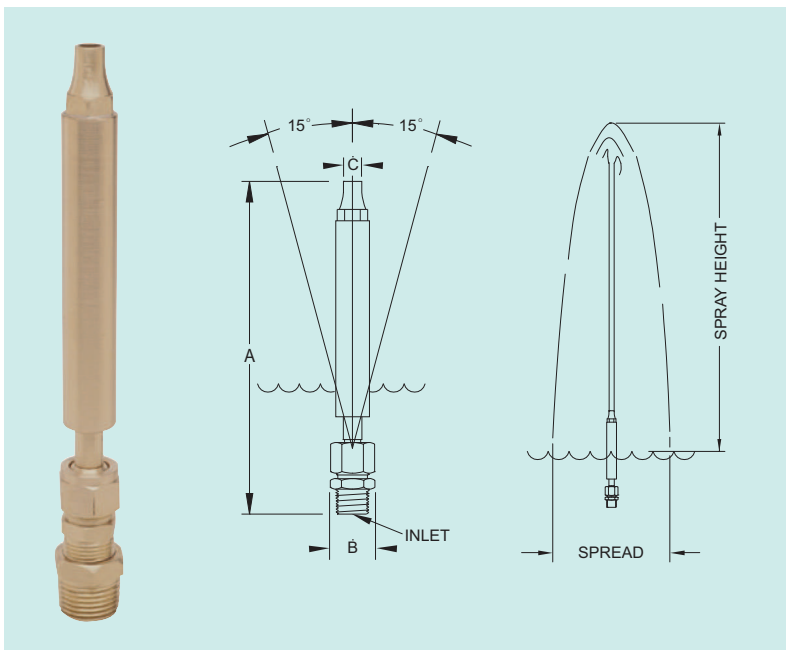
### PERFORMANCE

Part No.	Inlet (b.s.p.t.)	a dim. (mm)	b dim. (mm)	c dim. (mm)	Suction Strainer Openings max. mm.	Spray height (m.)	1.6	3.1	4.6	6.1	9.2	12.2	15.3	18.3	21.4	24.4	27.5	30.5					
NEF100	1"	102	51	13	7	LPM	45.0	61.0	79.0	87.0													
						Head (m.)	2.2	4	5.8	7.43													
						Spread (cm.)	3	3	8	8													
NEF150	1 ½"	127	64	16	8	LPM		129.0	132.0	144.0	174.0												
						Head (m.)		4.3	6.1	7.4	12.9												
						Spread (cm.)		6	9	11	13												
NEF200	2"	153	77	23	9	LPM		155.0	231.0	265.0	341.0	428.0											
						Head (m.)		4.3	6.5	8.6	12.2	18.6											
						Spread (cm.)		8	12	13	16	21											
NEF300	3"	254	102	29	13	LPM		269.0	295.0	469.0	564.0	651.0	712.0	810.0									
						Head (m.)		3.7	5.8	8	12.9	17.1	19.9	24.7									
						Spread (cm.)		N/A	N/A	N/A	N/A	N/A	N/A	N/A									
NEF400	4"	280	127	40	13	LPM				757.0	1030.0	1139.0	1185.0	1446.0	1597.0	1908.0	2177.0	2271.0					
						Head (m.)				7.4	12.9	15.6	17.1	24.7	29.9	40.9	44.2	50.3					
						Spread (cm.)				N/A	N/A	N/A	N/A	N/A	N/A	N/A	N/A	N/A	N/A	N/A			
NEF500	5"	356	166	51	26	LPM				1552.0	2006.0	2271.0	2461.0	2763.0	2953.0	3180.0	3369.0	3558.0					
						Head (m.)				8.3	12.9	16.8	21.4	25	29.6	33.6	39.7	45.8					
						Spread (cm.)				N/A	N/A	N/A	N/A	N/A	N/A	N/A	N/A	N/A	N/A				

## NES Series – Clear Stream Jet

The NES jet provides a clear stream performance and pressure regulation on manifolds and spray rings where uniform output is required. Provides up to 15 degrees of variance for ease of installation. Nozzle opening is 1/4" and creates a dramatic display when grouped in a traditional arch or circle. Made of brass. **Not water level dependent.**

*\*Contact Crystal Fountains for detailed specifications, installation and operation details.*



- VISIBILITY ■ ■ ■ □ □
- SOUND LEVEL ■ ■ ■ □ □
- WIND RESISTANCE ■ ■ □ □ □
- SPLASH/MIST ■ ■ ■ □ □
- EFFICIENCY ■ ■ ■ □ □

### DIMENSIONS

### PERFORMANCE

Part No.	Inlet (b.s.p.t.)	a dim. (mm)	b dim. (mm)	c dim. (mm)	Suction Strainer Openings max. mm.	Spray height (m.)			
						1.6	3.1	4.6	
NES050	1/2"	191	26	7	7	LPM	15.0	19.0	23.0
						Head (m.)	3.1	5.8	6.8
						Spread (m.)	N/A	N/A	N/A

## NES Series – Clear Stream Jet

TRADITIONAL NOZZLES

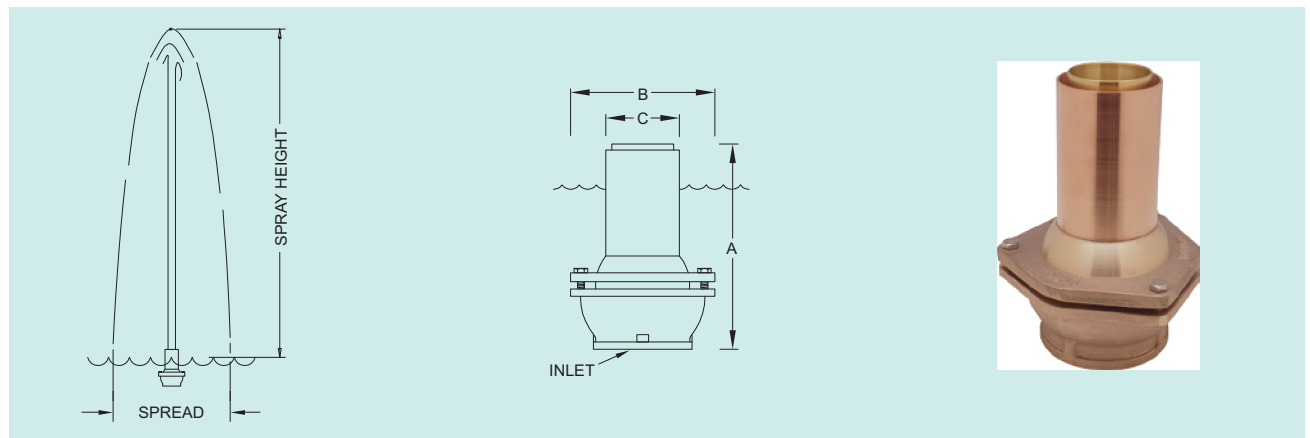




## NHC Series – Hollow Column Jet

A hollow column of clear water that when run at low levels, appears to be an overflowing glass tube. Cresting water creates minimum splash. Spectacular when illuminated. Ideal for small pools and quiet locations. Made of cast bronze, brass and copper with integral swivel adjustment. **Not water level dependent.**

- VISIBILITY ■ ■ ■ ■ □
- SOUND LEVEL ■ ■ ■ ■ □
- WIND RESISTANCE ■ ■ ■ ■ □
- SPLASH/MIST ■ ■ ■ ■ □
- EFFICIENCY ■ ■ ■ ■ □



*\*Contact Crystal Fountains for detailed specifications, installation and operation details.*

DIMENSIONS						PERFORMANCE							
Part No.	Inlet (b.s.p.t.)	a dim. (mm)	b dim. (mm)	c dim. (mm)	Suction Strainer Openings max. mm.	Spray height (m.)	0.4	0.6	1	1.3	1.6	2.5	3.1
NHC100	1"	140	64	29	2	LPM	42.0	61.0	76.0	87.0	140.0		
						Head (m.)	1	1.3	2.2	2.5	3.1		
						Spread (cm.)	13	23	31	31	36		
NHC150	1 1/2"	178	83	42	3	LPM	83.0	117.0	140.0	163.0	178.0	227.0	254.0
						Head (m.)	1	1.3	1.9	2.2	2.8	4	5.2
						Spread (cm.)	23	31	36	41	51	69	97
NHC200	2"	185	115	54	4	LPM	110.0	144.0	174.0	201.0	220.0	280.0	307.0
						Head (m.)	0.6	1.3	1.6	2.2	2.5	4	4.6
						Spread (cm.)	23	34	41	46	69	122	122
NHC300	3"	229	153	77	7	LPM		284.0	344.0	409.0	469.0	598.0	689.0
						Head (m.)		1	1.6	1.9	1.9	3.1	4
						Spread (cm.)		46	61	77	92	107	143



## NLF Series – Crown Jet

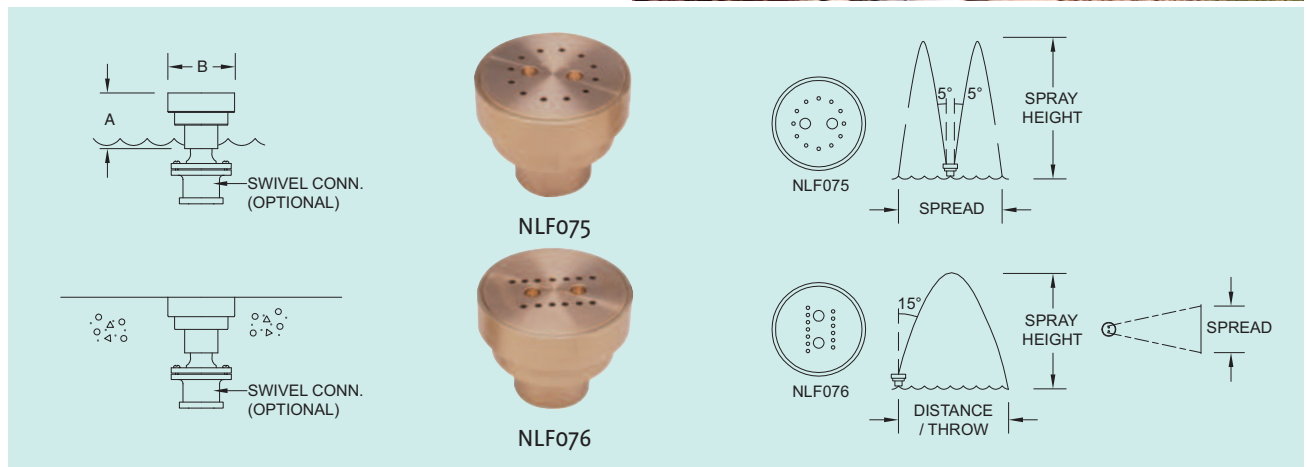
A versatile, smaller jet that can be used in play decks\* or in a fountain. Ideal for small and medium sized pools providing gentle spray coverage and cooling. This effect creates a pretty, vertical tulip shape (also see NLF076 for a fanning effect). Optional alignment swivel available (ASU). Made of machined cast bronze with removable, flush-mounted faceplate for easy cleaning with optional security key. Optional winter cover also available. **Not water level dependent.**

\* For interactive play, do not exceed 6 meters per second.

VISIBILITY	■ ■ ■ ■ □
SOUND LEVEL	■ □ □ □ □
WIND RESISTANCE	■ ■ ■ ■ □
SPLASH/MIST	■ ■ ■ ■ ■
EFFICIENCY	■ ■ ■ □ □



This product is available under our Quick Ship program! See page 15 for more details.



\*Contact Crystal Fountains for detailed specifications, installation and operation details.

DIMENSIONS					PERFORMANCE				
Part No.	Inlet (b.s.p.t.)	a dim. (mm)	b dim. (mm)	Suction Strainer Openings max. mm.	Spray height (m.)	0.6	1	1.3	1.9
NLF075	1"	64	51	2	LPM	15.0	19.0	23.0	26.0
					Head (m.)	1	1.6	1.9	3.1
					Spread (cm.)	4	6	8	11
NLF076	1"	64	51	2	LPM	19.0	19.0	23.0	34.0
					Head (m.)	1.3	1.6	2.2	3.4
					Spread (cm.)	9	14	20	31
					Throw (m.)	0.6	1.3	1.3	2.2

Options	Add Suffix
Cover Removal Key	K
Winter Cover	W


## NLG Series – Ground Jet

A popular, multi-purpose spray jet that can be used in small and medium-sized fountains and playdecks\*. Big brother to the NLF (Crown Jet), this nozzle is 127mm in diameter and creates a larger volume of gentle spray. Available with 4 interchangeable tops for different spray patterns that provide up to 3.5m of spread. Made of machined cast bronze with removable faceplate for easy cleaning with an optional security key. Optional alignment swivel available (ASU). Optional winter cover also available. **Not water level dependent.**

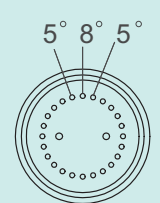
\* For interactive play, do not exceed 6 meters per second.




VISIBILITY	■ ■ ■ □ □
SOUND LEVEL	■ ■ □ □ □
WIND RESISTANCE	■ □ □ □ □
SPLASH/MIST	■ ■ ■ ■ □ □
EFFICIENCY	■ ■ ■ □ □



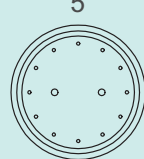
NLG200




NLG200



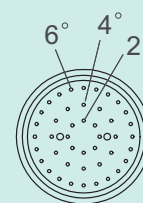
NLG201




NLG201



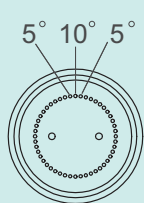
NLG202



NLG202



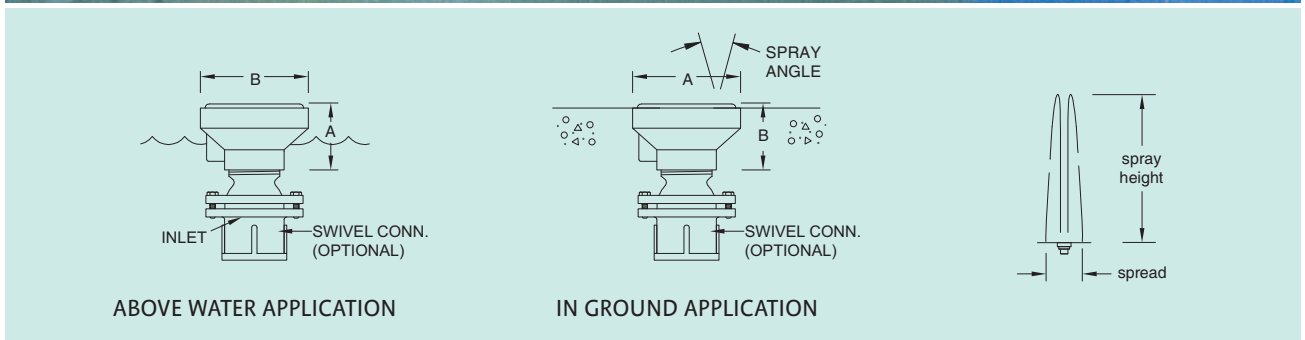
NLG203



NLG203

\*Contact Crystal Fountains for detailed specifications, installation and operation details.

# NLG Series – Ground Jet



## DIMENSIONS

Part No.	Inlet (b.s.p.t.)	a dim. (mm)	b dim. (mm)	Suction Strainer Openings max. mm.
NLG200	2"	77	127	1
NLG201	2"	77	127	1
NLG202	2"	77	127	1
NLG203	2"	77	127	1

## PERFORMANCE

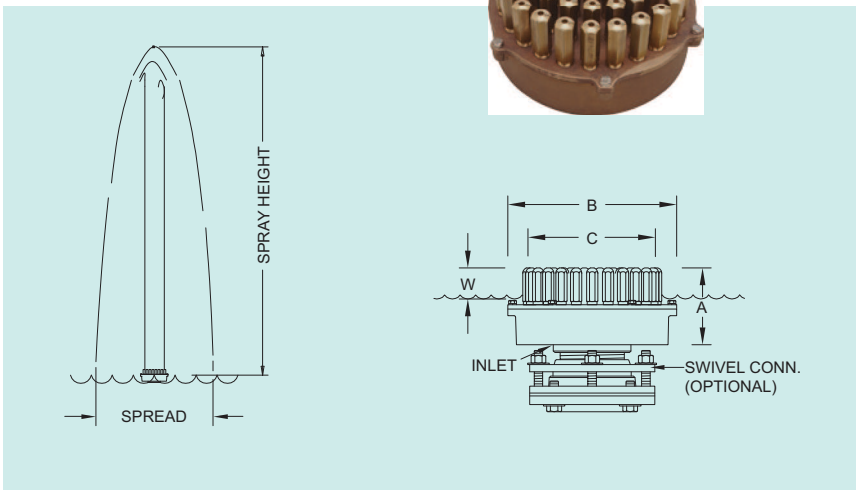
	1	1.6	3.1
LPM	114.0	148.0	220.0
Head (m.)	1.6	2.5	5.5
Spread (cm.)	122	183	336
LPM	98.0	129.0	189.0
Head (m.)	1.6	2.5	4.9
Spread (cm.)	7	12	21
LPM	95.0	121.0	178.0
Head (m.)	1.6	2.5	5.2
Spread (cm.)	92	138	244
LPM	98.0	129.0	182.0
Head (m.)	1.6	2.5	4.6
Spread (cm.)	138	206	336

Options	Add Suffix
Security Key	K
Winter Cover	W

## NPA Series – Column Pod

A large, vertical column consisting of 3 concentric rows of clear stream nozzles with one central nozzle. Available in 3 different stream sizes and can have spray heights up to 12m. Best used in larger pools providing excellent viewing at great distances, especially when illuminated. Optional alignment swivel available (ASU). Made of cast bronze with plume nozzles. **Not water level dependent.**

VISIBILITY	■ ■ ■ ■ ■
SOUND LEVEL	■ ■ ■ ■ □
WIND RESISTANCE	■ ■ ■ ■ □
SPLASH/MIST	■ ■ ■ □ □
EFFICIENCY	■ ■ ■ □ □



*\*Contact Crystal Fountains for detailed specifications, installation and operation details.*

### DIMENSIONS

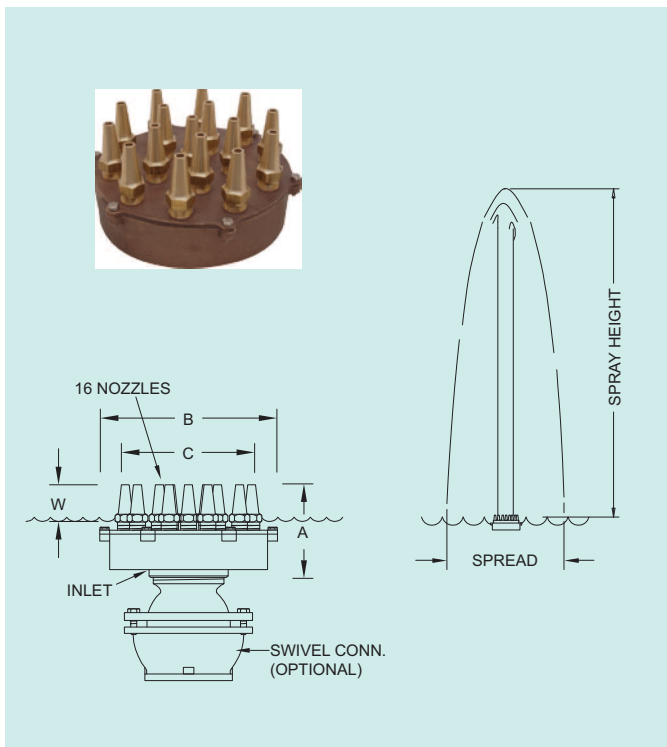
### PERFORMANCE

Part No.	Inlet (b.s.p.t.)	a dim. (mm)	b dim. (mm)	c dim. (mm)	w dim. (mm)	Stream Size (mm)	No. of Jets	Suction Strainer Openings max. mm.	Spray height (m.)						
										3.1	4.6	6.1	7.7	9.2	12.2
NPA100	4"	153	254	204	51	229	51	4	LPM	803.0	984.0	1086.0	1170.0	1397.0	
									Head (m.)	5.2	8.6	10.1	11.3	16.5	
									Spread (cm.)	153	183	214	244	290	
NPA200	4"	229	305	254	77	254	36	5	LPM	1098.0	1363.0	1590.0			
									Head (m.)	6.1	9.2	12.2			
									Spread (cm.)	153	199	244			
NPA300	6"	267	407	305	77	305	36	5	LPM			1590.0	1817.0	2006.0	2385.0
									Head (m.)			10.7	12.2	13.8	16.8
									Spread (cm.)			275	305	336	366

## NPD Series – Mist Column Pod

Similar to the Column Pod (NPA), the NPD produces a majestic, clear column of more misty and lacy water. A smaller number of concentric jets produce a less dense column of water. Ideal for medium to large pools and works well in a grouping. Produces a good visual effect from a distance and holds light well. Made of machined brass and cast bronze with 16 custom precision nozzles. Optional alignment swivel available (See ASU). **Not water level dependent.**

- VISIBILITY
- SOUND LEVEL
- WIND RESISTANCE
- SPLASH/MIST
- EFFICIENCY



*\*Contact Crystal Fountains for detailed specifications, installation and operation details.*

### DIMENSIONS

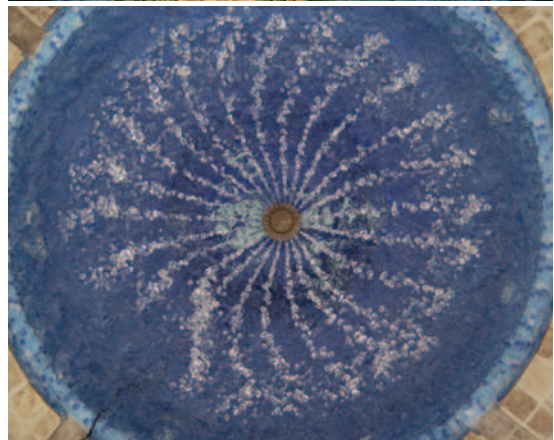
### PERFORMANCE

Part No.	Inlet (b.s.p.t.)	a dim. (mm)	b dim. (mm)	c dim. (mm)	w dim. (mm)	Stream Size (mm)	Suction Strainer Openings max. mm.	Spray height (m.)							
									3.1	4.6	6.1	7.7	9.2	10.7	12.2
NPD100	3"	204	254	229	77	229	4	LPM	379.0	492.0	556.0	628.0	700.0	768.0	837.0
								Head (m.)	4	7.4	9.2	12.5	14.1	17.1	19.9
								Spread (cm.)	122	153	183	214	244	275	305

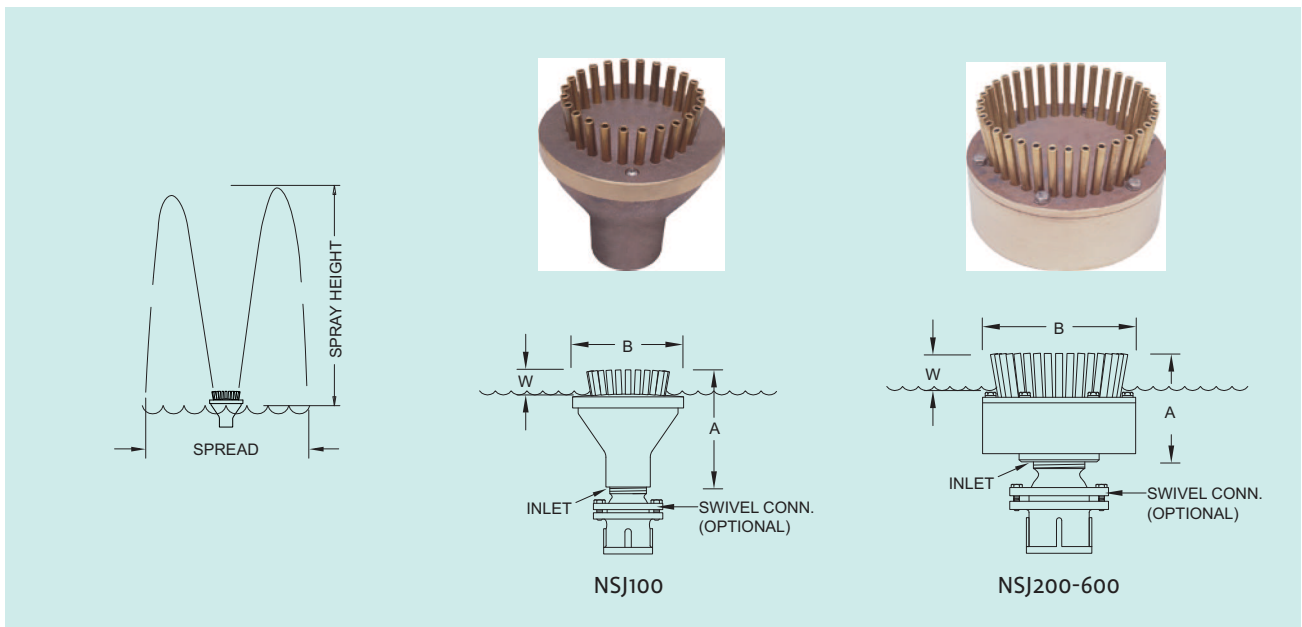
## NSJ Series – Spray Jewel Jet

A graceful, outward spray effect that can be used as a centerpiece for small to large fountains and produces a delicate tulip effect. A popular and versatile jet, the Spray Jewel can shoot in height from 1m to 5m. Individual nozzles produce jewel-like streams when illuminated at night. Made of machined bronze and brass with removable top for easy cleaning. Optional alignment swivel available (See ASU). **Not water level dependent.**

*\*Contact Crystal Fountains for detailed specifications, installation and operation details.*



VISIBILITY	■ ■ ■ ■ □
SOUND LEVEL	■ ■ ■ □ □
WIND RESISTANCE	■ ■ ■ □ □
SPLASH/MIST	■ ■ □ □ □
EFFICIENCY	■ ■ ■ □ □





## NSJ Series – Spray Jewel Jet



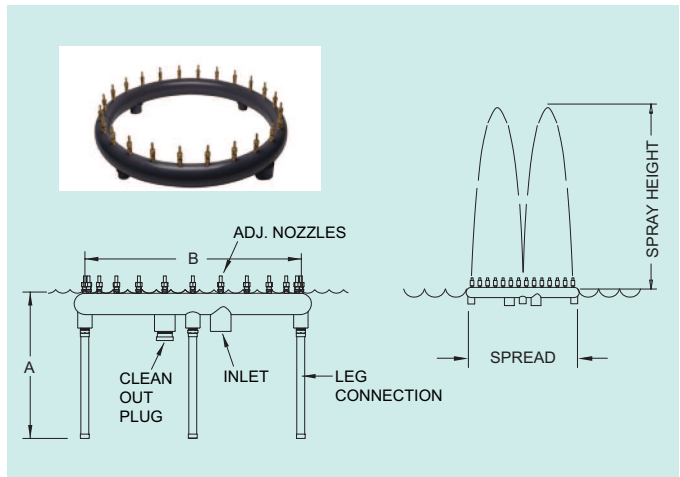
### DIMENSIONS

### PERFORMANCE

Part No.	Inlet (b.s.p.t.)	a dim. (mm)	b dim. (mm)	w dim. (mm)	No. of Jets	Spray height (m.)					
						1	1.6	2.5	3.1	4.6	
NSJ100	1 ¼"	127	115	51	24	LPM	159.0	201.0	235.0		
						Head (m.)	1.3	2.2	3.4		
						Spread (cm.)	153	244	366		
NSJ200	2"	127	178	51	36	LPM	235.0	303.0	352.0		
						Head (m.)	1.3	2.2	3.4		
						Spread (cm.)	153	244	366		
NSJ300	3"	134	248	51	48	LPM	201.0	276.0	379.0	420.0	
						Head (m.)	1.6	2.5	3.7	4.3	
						Spread (cm.)	123	183	244	336	
NSJ400	4"	197	293	102	36	LPM	435.0	651.0	939.0	1189.0	1624.0
						Head (m.)	1.6	2.5	3.7	4.3	6.1
						Spread (cm.)	153	244	366	458	671
NSJ600	6"	242	362	102	48	LPM	579.0	1056.0	1249.0	1586.0	2158.0
						Head (m.)	1.6	2.5	3.7	4.3	6.1
						Spread (cm.)	183	244	397	458	671

## NSR Series – Spray Ring

A classic, circular pattern of individual sprays with an outstanding visual effect. The spray appears lacy by day and sparkles when illuminated by night. Adjustable nozzles permit infall, straight or outfall spray pattern. Available in multiple sizes from 0.3m - 2.5m diameters but can be customized in size and shape to suit your needs. Made of extruded PVC with individually adjustable brass nozzles. **Not water level dependent.**



VISIBILITY	■ ■ ■ ■ □
SOUND LEVEL	■ ■ ■ □ □
WIND RESISTANCE	■ ■ □ □ □
SPLASH/MIST	■ ■ ■ □ □
EFFICIENCY	■ ■ □ □ □

### DIMENSIONS

### PERFORMANCE

Part No.	Inlet (b.s.p.t.)	a dim. (mm)	b dim. (mm)	No. of Jets	Pipe Diameter (mm)	Suction Strainer Openings max. (mm)	Spray height (m.)	Head (m.)										
								0.6	1	1.3	1.6	1.9	2.5	3.1	3.7	4.3		
Nozzle Opening = 4 mm (Fine Spray)																		
NSR122	1"	458	305	16	26	2	GPM	32.0	37.0	46.0								
NSR222	1" x 2	458	610	22	32	2		41.0	51.0	60.0								
NSR322	1 1/4" x 2	458	915	47	32	2		87.0	110.0	128.0	151.0	173.0						
NSR422	1 1/4" x 2	458	1220	50	39	2		91.0	114.0	137.0	160.0	182.0						
NSR522	1 1/4" x 2	458	1524	56	39	2		105.0	128.0	155.0	182.0	205.0	255.0					
NSR622	1 1/4" x 3	458	1829	75	51	2		137.0	173.0	205.0	241.0	273.0	341.0					
NSR822	1 1/4" x 4	458	2439	113	51	2		205.0	260.0	310.0	360.0	410.0	514.0	569.0				
Nozzle Opening = 5 mm (Heavy Spray)																		
NSR223	1 1/4"	458	610	24	51	3	GPM	114.0	160.0	219.0	237.0	251.0						
NSR323	1 1/4" x 2	458	915	36	51	3		137.0	228.0	328.0	355.0	391.0						
NSR423	1 1/2" x 2	458	1220	48	51	3		205.0	319.0	437.0	482.0	546.0						
NSR523	1 1/2" x 2	458	1524	60	51	3		241.0	382.0	519.0	555.0	591.0	664.0					
NSR623	1 1/2" x 3	458	1829	72	51	3		273.0	437.0	601.0	655.0	737.0	792.0					
NSR823	1 1/2" x 4	458	2439	84	64	3		364.0	564.0	764.0	837.0	910.0	1028.0	1110.0	1182.0	1264.0		

\*Contact Crystal Fountains for detailed specifications, installation and operation details.

\*\*Spread for NSR is the same as b dim.

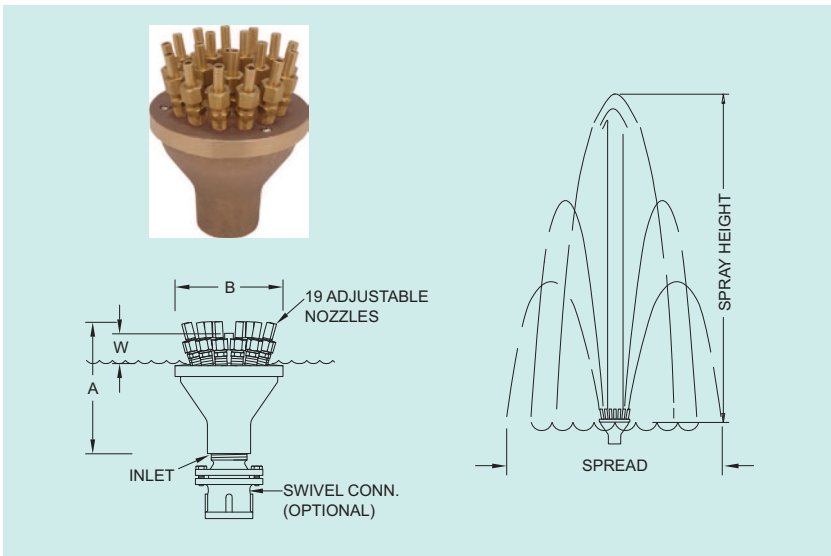
# NSR Series – Spray Ring



## NWA Series – Adjustable WaterCastle Jet

Similar to the WaterCastle (NWC), this jet produces a graceful spray effect but has adjustable nozzles for creative spray patterns. With adjustable spray patterns, spread can go up to 5m. Ideal for small and medium sized displays. Made of cast bronze, machined brass and copper with adjustable nozzles and removable cap for easy cleaning. Optional alignment swivel available (See ASU). **Not water level dependent.**

VISIBILITY	■ ■ ■ ■ □
SOUND LEVEL	■ □ □ □ □
WIND RESISTANCE	■ ■ ■ □ □
SPLASH/MIST	■ ■ ■ ■ ■
EFFICIENCY	■ ■ ■ □ □



*\*Contact Crystal Fountains for detailed specifications, installation and operation details.*

### DIMENSIONS

### PERFORMANCE

Part No.	Inlet (b.s.p.t.)	a dim. (mm)	b dim. (mm)	w dim. (mm)	Suction Strainer Openings max. mm.	Spray height (m.)								
						1.3	1.6	1.9	2.2	2.5	2.8	3.1	3.7	
NWA125	1 1/4"	147	127	51	4	LPM	79.0	83.0	98.0	106.0	117.0	121.0	132.0	144.0
						Head (m.)	1.9	2.2	2.8	3.1	3.4	4	4.9	5.8
						Spread (cm.)	168	183	260	275	336	336	366	488

## NWC Series – WaterCastle Jet

A commercial quality, popular three-tiered effect of clear streams nozzles. Ideal for small and medium sized pools. Nozzle has individual concentric streams producing a layered effect. Illuminates well at night. Made of cast bronze, brass and copper with removable cap for easy cleaning. Optional alignment swivel available (See ASU). **Not water level dependent.**

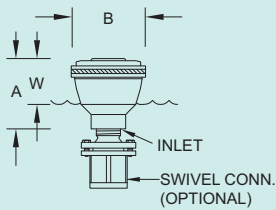
- VISIBILITY ■ ■ ■ ■ □
- SOUND LEVEL ■ ■ ■ □ □
- WIND RESISTANCE ■ ■ □ □ □
- SPLASH/MIST ■ ■ □ □ □
- EFFICIENCY ■ ■ ■ □ □



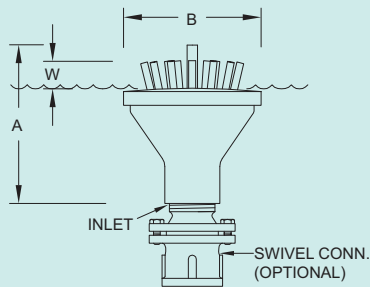
This product (NWC075 only) is available under our Quick Ship program! See page 15 for more details.



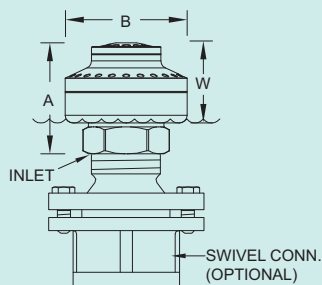
NWC075 - 31 nozzles



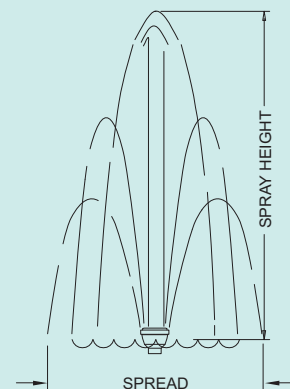
NWC125 - 25 nozzles



NWC150 - 25 nozzles



NWC151 - 37 nozzles



# NWC Series – WaterCastle Jet

TRADITIONAL NOZZLES



*\*Contact Crystal Fountains for detailed specifications, installation and operation details.*

### DIMENSIONS

### PERFORMANCE

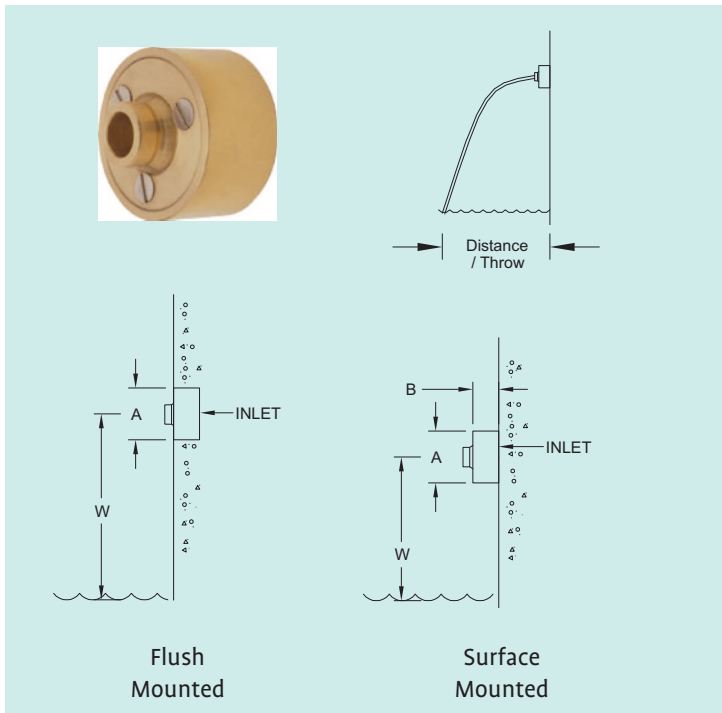
Part No.	Inlet (b.s.p.t.)	a dim. (mm.)	b dim. (mm.)	w dim. (mm.)	Suction Strainer Openings max. mm.	Spray height (m.)																
							1	1.3	1.6	1.9	2.2	2.5	2.8	3.1	3.4	3.7	4	4.3	4.6			
NWC075	¾"	77	83	26	2	LPM	42.0	53.0	68.0	79.0												
						Head (m.)	2.2	3.1	3.7	8.6												
						Spread (cm.)	77	92	153	199												
NWC125	1 ¼"	147	127	26	4	LPM	72.0	79.0	87.0	95.0	106.0	114.0	125.0									
						Head (m.)	1.9	2.2	2.5	3.1	3.7	4.3	4.9									
						Spread (cm.)	92	122	153	183	214	244	275									
NWC150	1 ½"	93	102	64	3	LPM	148.0	159.0	174.0	193.0	204.0	216.0	223.0	235.0	242.0	254.0	265.0	276.0				
						Head (m.)	1.9	2.2	2.6	2.9	3.4	3.7	3.9	4.2	4.5	4.8	5.4	5.7				
						Spread (cm.)	153	168	199	229	260	275	290	321	336	366	381	397				
NWC151	1 ½"	93	102	64	3	LPM	201.0	223.0	242.0	261.0	280.0	291.0	307.0	322.0	333.0	344.0	356.0	379.0				
						Head (m.)	1.9	2.3	2.6	2.9	3.4	3.7	3.9	4.3	4.6	4.9	5.2	5.8				
						Spread (cm.)	183	214	244	260	290	321	336	366	381	412	442	473				



## NMS Series – Mini-Spout Jet

A clear stream jet that falls gracefully into pools from a small wall spout. Used for wall mounted applications either flush or surface. Integral swivel permits directional adjustments to the stream, For use primarily in small architectural pools. Made of extruded brass. **Not water level dependent.**

- VISIBILITY
- SOUND LEVEL
- WIND RESISTANCE
- SPLASH/MIST
- EFFICIENCY



*\*Contact Crystal Fountains for detailed specifications, installation and operation details.*

### DIMENSIONS

Part No.	Inlet (b.s.p.t.)	a dim. (mm)	b dim. (mm)	w dim. (mm)	Suction Strainer Openings max. mm.
NMS050	1/2"	51	26	508	7

### PERFORMANCE

Throw (m.)	0.2	0.4	0.5
LPM	11.0	15.0	19.0
Head (m.)	0.6	0.6	0.6

Options	Add Suffix
Surface Flange	K
Membrane Clamp	L



## NRC Series – Rain Curtain

A spectacular effect of water droplets raining down mylar laces. Contains:

**Laces** 7mm mylar:

**NRC100** mylar spool length is 30.5m or **NRC101** mylar spool length is 183m.

**Nozzles**

**NRC200** - 0.378LPM with minimum nozzle spacing of 29mm.

**Splash suppressor**

**NRC300** – plastic housing - 1 per nozzle required

**Lead Weights**

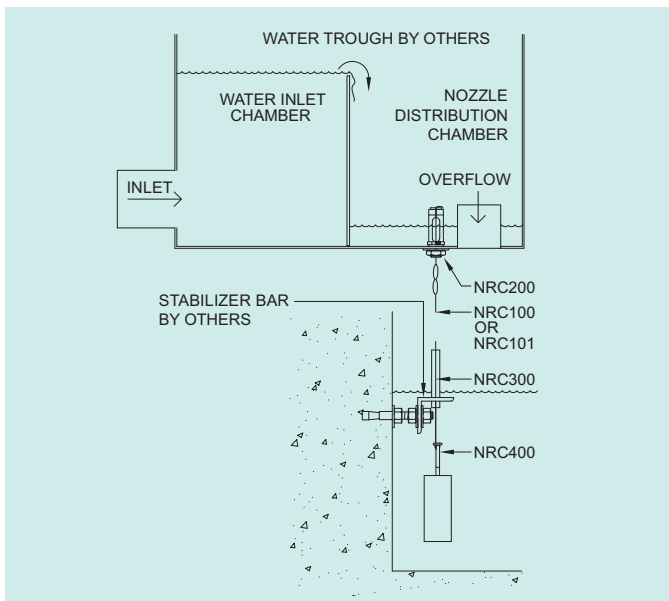
**NRC400** – 0.4kg - 1 per nozzle required

Note: Dimension and Performance Chart Not Applicable.

*\*Contact Crystal Fountains for detailed specifications, installation and operation details.*



Droplets fall from great heights in slow motion, quietly and without splash. Laces may be installed up to 20° and still have water stick to the rain curtain. Curtain can take many forms. Dazzling when illuminated. Use only filtered and softened water to prevent clogging and discoloring of curtain laces.



VISIBILITY	■ ■ ■ □ □
SOUND LEVEL	■ □ □ □ □
WIND RESISTANCE	■ ■ ■ □ □
SPLASH/MIST	■ □ □ □ □
EFFICIENCY	■ ■ ■ □ □