

PF - 1000 Series Single Jet Nozzles



Small tapered ADJUSTABLE CLEAR STREAM NOZZLE develops display with a minimum of distortions. Designed for precision use with spray ring, spray bars or other installations where precision vertical columns or trajectory patterns are desired.

Specification Data : Construction is of machined brass, cast bronze and cast brass with swivel adjustable connection



PF-1010



PF-1011



PF-1012



PF-1050

Model	BSP	Orifice		Stream Height in Meter							
				1	1.5	2	2.5	3	3.5	4	
PF-1008	1/8"	3mm	LPM	1.45	2.30	3.00	3.50	4.20	4.70	5.00	
			Head in Mtr	1.35	2.00	2.70	3.35	4.00	4.70	5.35	
PF-1009	1/4"	3mm	LPM	1.45	2.30	3.00	3.50	4.20	4.70	5.00	
			Head in Mtr	1.35	2.00	2.70	3.50	4.20	4.70	5.00	
PF-1010	3/8"	4.75mm	LPM	7.60	9.15	10.50	11.25	12.00	12.75	13.75	
			Head in Mtr	1.35	2.00	2.70	3.35	4.00	4.70	5.35	
PF-1011	1/2"	6.35mm	LPM	12.00	15.50	17.60	19.00	21.00	22.00	24.50	
			Head in Mtr	1.35	2.00	2.70	3.35	4.00	4.70	5.35	
PF-1012	3/4"	10mm	LPM	14.50	20.00	27.00	32.00	37.00	41.00	46.00	
			Head in Mtr	1.35	2.00	2.70	3.35	4.00	4.70	5.35	
PF-1013	1"	14mm	LPM	44.00	55.00	80.00	90.00	100.00	110.00	121.00	
			Head in Mtr	1.35	2.00	2.70	3.35	4.00	4.70	5.35	

Model	BSP	Orifice		Stream Height in Meter									
				2	3	4	5	6	8	10	15	20	
PF-1048	1 1/2"	19 mm	LPM	105	125	150	180	215	255	280	--	--	
			Head in Mtr	3	4	5	6.5	8	10	12.50	--	--	
PF-1050	3"	45 mm	LPM	555	675	875	990	1230	1500	1700	200	2275	
			Head in Mtr	3	4	5	6.5	8	10	12.50	20	27	
PF-1051	4"	55 mm	LPM	690	907	1123	1300	1684	2050	2300	2800	3200	
			Head in Mtr	3	4	5	6.5	8	10	12.50	20	27	



PF - 1100 Series Multi Jet Nozzles



Sparkling unique tripe –tiered effect of clear streams. Ideal for small and medium sized displays. No constant water level is required.

Specification Data:

Cast bronze construction with Fix Jets removable cap for easy cleaning.

Operating Data

- Noise : Low
- Visibility : Moderate
- Splash/Mist : Poor



PF-1110



PF-1101



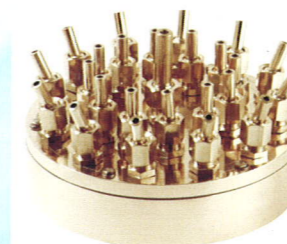
PF-1102



PF-1105



PF-1106



PF-1107

Model	BSP	No. of	Orifice		Stream Height in Meter							
					2	3	4	5	6	8	10	12
PF-1110	2 1/2"	19	1 @12mm	LPM	300	360	420	480	530	640	730	830
			18 @ 8mm	Head in Mtr	3	3	6.00	7.5	10	13	18	20

Model	BSP	No. of	Orifice		Stream Height in Meter							
					1	1.5	2	2.5	3	3.5	4	
PF-1101	1/2"	31	31@ 2.00mm	LPM	25	40	--	--	--	--	--	--
				Head in Mtr	1.5	2.30	--	--	--	--	--	--
PF-1102	1"	19	1@ 5.00	LPM	65	80	95	110	120	130	150	
			18@ 3.90mm	Head in Mtr	2.5	2.6	3.5	5.00	6.5	8.00	9.00	
PF-1103	1"	43	1@ 5.00mm	LPM	80	120	135	145	165	180	190	
			42 @ 2.80mm	Head in Mtr	3.00	3.5	4.00	6.00	9.00	10.00	11.50	
PF-1104	1"	26	1@ 5.00mm	LPM	100	120	135	150	165	175	190	
			25 @ 4.00 mm	Head in Mtr	3.00	3.50	4.00	6.00	9.00	10.00	11.5 --	
PF-1105	1"	25	1@ 3.80mm	LPM	70	80	95	110	121	--	--	
			24@ 3.20mm	Head in Mtr	2.40	2.60	3.65	6.00	6.87	--	--	
PF-1106	1"	15	15@ 4.75mm	LPM	65	70	80	100	120	--	--	
				Head in Mtr	2.74	3.04	3.65	4.20	4.87	--	--	
PF-1107	1 1/2"	25	1@ 6.40mm	LPM	100	120	135	150	165	185	190	
			24@ 4.75 mm	Head in Mtr	3.5	4.00	5.5	7.00	9.00	5.20	11.00	
PF-1108	2"	37	1 @ 5.00 mm	LPM	110	130	155	170	180	195	210	
			36@ 4.00MM	Head in Mtr	3.00	3.60	4.90	6.35	9.00	10.00	11.5	



PF - 1300 Series Water Film Nozzle



A clear of water in the shade of **BELL**. Minimum sound or splash. For silence wind-free locations in small and medium sized displays. Ideal in grouping of various heights. No constant water level required.

Model	BSP		Spray diameter (cm)			
Number	Conn.		15 cm	30 cm	45 cm	60 cm
PF- 1301	½"	LPM	8	12	20	30
		Head in Mtr	1	1	1	1
PF- 1302	1"	LPM		15	22	35
		Head in Mtr		1	1	1



PF-1301



PF-1308

Water Lily

Model	BSP		Spray height in meter			
Number	Conn.		0.25	0.50	0.75	1
PF- 1308	1"	LPM	64	75	83	90
		Head in Mtr	2	3	3.50	4
		Dia. of Cone	0.25	0.50	0.75	1

Fan Jet

Model	BSP	Spray		Spray height in meter					
Number	Conn.	Angle		0.50	0.75	1.00	1.5	2	3
PF-1317	1"	45	LPM	60	80	90	150	--	--
			Head in Mtr	0.50	0.80	0.80	1.00	--	--
PF-1318	1 ½"	45	LPM	90	110	120	200	250	270
			Head in Mtr	0.50	0.80	0.80	1.00	1.20	1.80
		Vertical	LPM	170	200	250	350	400	500
			Head in Mtr	0.80	1.00	1.30	1.50	2.30	3.30



PF-1318



Tulip

Sparkling unique tripe –tiered effect of clear streams. Ideal for small and medium sized displays. No constant water level is required.

Specification Data:

Cast bronze construction with Fix Jets removable cap for easy cleaning.

Operating Data

- Noise : Low
- Visibility : Moderate
- Splash/Mist : Poor
- Aeration Quality : Good

Model	BSP		Spray height in meter				
Number	Conn.		0.50	1.00	2.00	3.00	4.00
PF-1332	1 ½"	LPM	50	80	--	--	--
		Spread dia. mtr.	0.50	1.00	--	--	--
		Head in mtr.	3.00	5.00	--	--	--
PF-1333	2 ½"	LPM	--	200	300	400	--
		Spread dia. in mtr	--	1.00	2.50	4.00	--
		Head in mtr	--	5.00	6.00	7.00	--
PF-1334	3"	LPM	--	300	400	500	600
		Spread	--	1.50	3.00	5.00	6.00
		Head in mtr.	--	5.00	6.00	7.00	8.00



PF-1333

PF - 3400 Series Foam Effect Nozzle (Water Level Independent)



A column of Frothy, aerated water, Recommended for small and medium displays in shallow pools. Beautiful when lighted. Jet has low profile and neat appearance. No constant water level is required.

Specification Data:

Cast bronze and brass with internal air/water ration adjustment. Exterior is of Bronze.

Model	BSP	Jet		Spray height in meter									
Number	Conn.	Orifice		0.5	1	1.50	2	2.5	3	3.5	4	4.5	5
PF-3401	½"	23 mm	LPM	40	60	--	--	--	--	--	--	--	--
			Head in Mtr	1.25	2.1	--	--	--	--	--	--	--	--
PF-3402	1"	35mm	LPM	55	80	97	111	123	--	--	--	--	--
			Head in Mtr	1.38	2.7	3.99	5.23	6.50	--	--	--	--	--
PF-3403	1"	40mm	LPM	60	95	125	140	160	185	--	--	--	--
			Head in mtr	2	4	5.76	7.50	9.20	10.9	--	--	--	--
PF-3409	1"	50mm	LPM	70	100	135	150	170	195	--	--	--	--
			Head in Mtr	2	4	5.76	7.50	9.20	10.9	--	--	--	--
PF-3410	1 ½"	50 mm	LPM	125	176	217	252	282	310	335	360	381	402
			Head in Mtr	1.7	1.90	2.84	3.81	4.79	5.76	6.74	7.32	8.71	9.69
PF-3412	2"	70 mm	LPM		230	270	315	347	385	400	440	450	485
			Head in Mtr		2.5	3.5	4.00	5.00	6.00	7.00	8.00	9.00	10.00



PF-3401



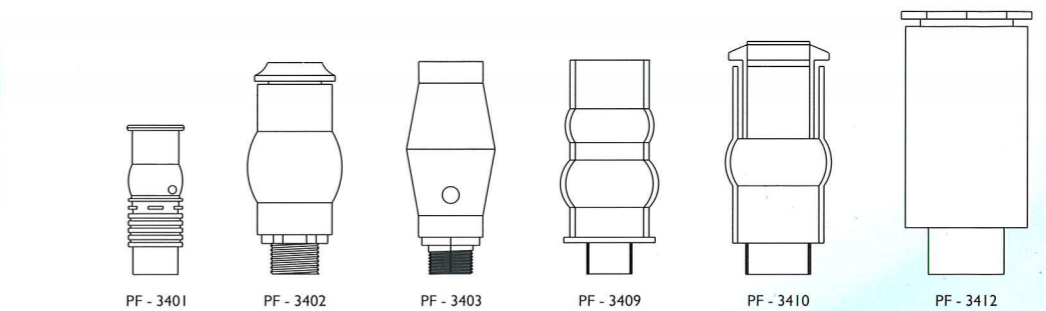
PF-3402



PF-3403



PF-3409



PF - 3401

PF - 3402

PF - 3403

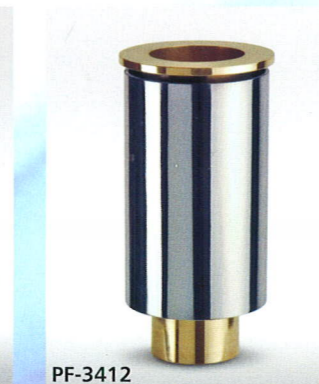
PF - 3409

PF - 3410

PF - 3412



PF-3410



PF-3412



